

# Thermoplastic Closures (815)

## Wall Box (815)

Leader Optec offer a range of versatile junction boxes for fibre termination and patching requirements.

Depending upon your application these boxes can be used as a splice enclosure for joining incoming cables or as a means of patching connectorised cables via internally mounted (or side loaded) adapters.



## Features & Benefits

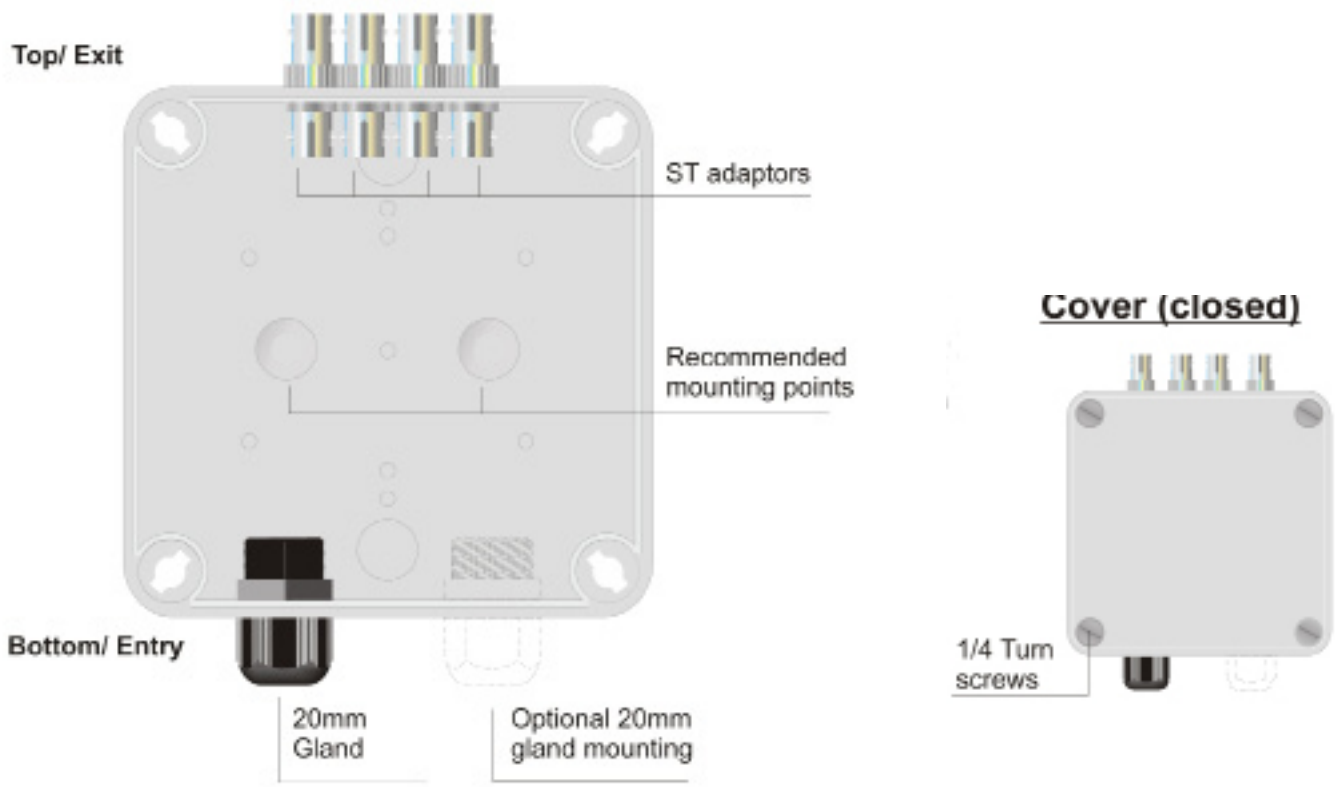
- IP 65 rated
- Self retaining screws
- Adaptors - SC (Dx) x 2 / LC (Quad) x 2 / SC (Sx) x 4 / ST or FC (Sx) x 4
- Up to 8 fibre capacity
- Recommended 2 x 20mm cable glands (maximum of 4)
- 815 Box is not recommended for splicing

## Application

- Optical patching
- Data centres, premise installations, telecommunication networks
- Ethernet, Fibre Channel, ATM, LAN, MAN and WAN
- Data communication
- Outdoor applications to IP65 rated
- Suitable for LiteLinke tight buffered and loose tube pre-terminated assemblies

## Specification

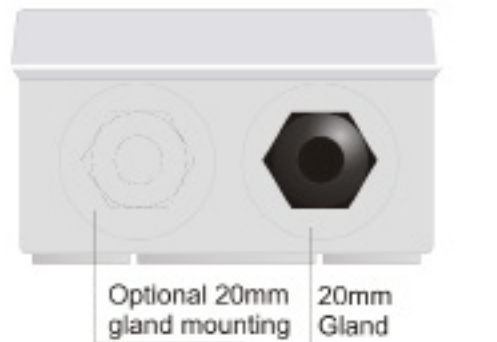
ELEMENT	CHARACTERISTIC
Material	Thermoplastic
Colour	RAL 7035
External Dimensions (L x W x H)	110 x 110 x 60 (millimeters)
Internal Dimensions (L x W x H)	100 x 100 x 55 (millimeters)
Operation Temperature	-40 ~ +80°C
Installation Temperature	-10 ~ +70°C



**Top/ Exit (adaptor)**



**Top/ Exit (cable)**



**Bottom/ Entry (cable)**

