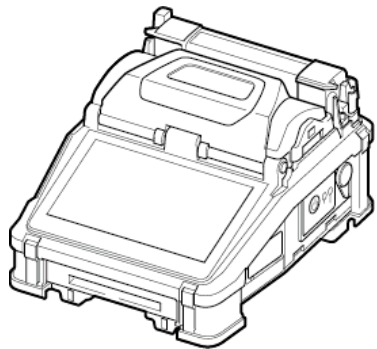
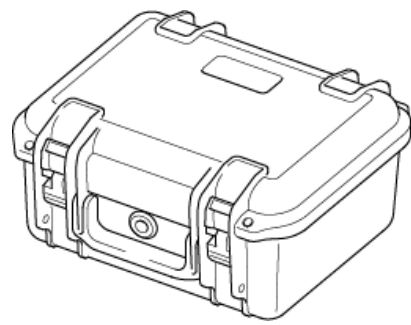


Clad Alignment Fusion Splicer Quick Reference Guide

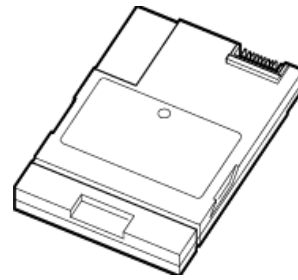
What's included



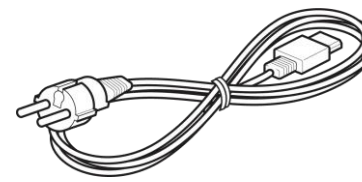
Fusion splicer



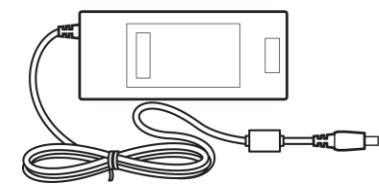
Carrying case



Battery pack



Power cord

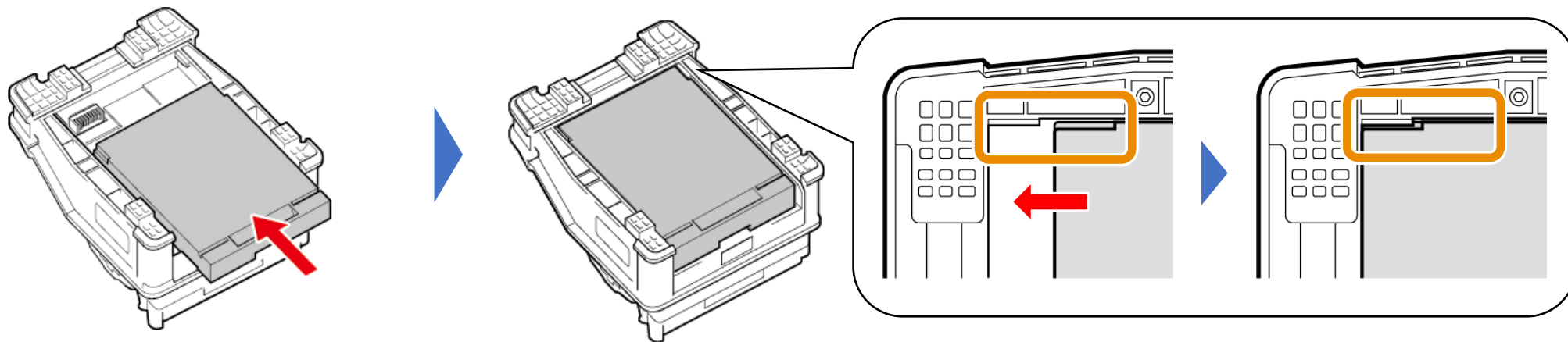


AC adapter

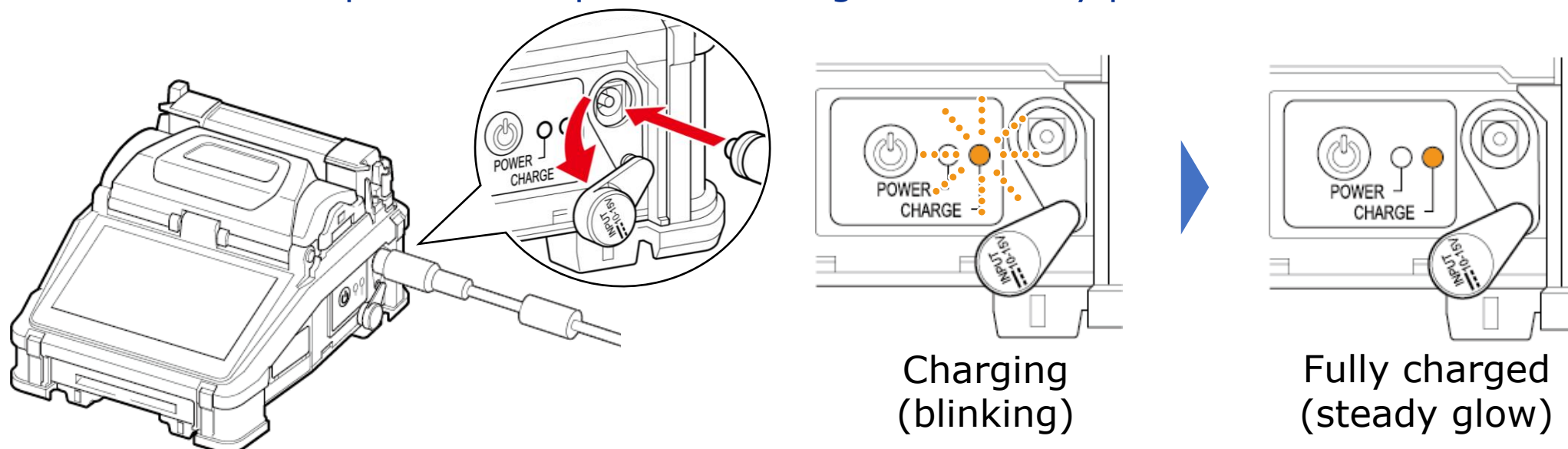
The package is an example. The package contents vary depending on the customers' requests.

Getting started

- 1 Insert the battery straight into the slot gently until it gets stuck in place.

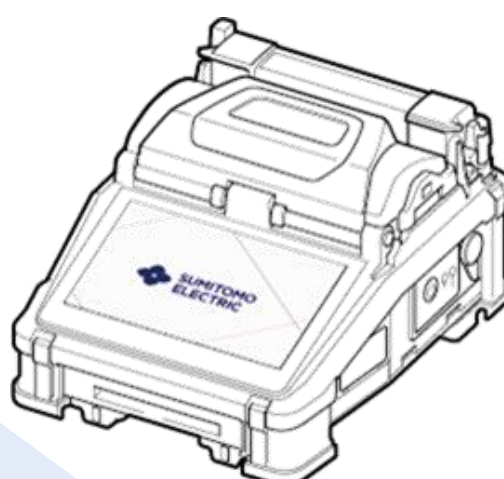
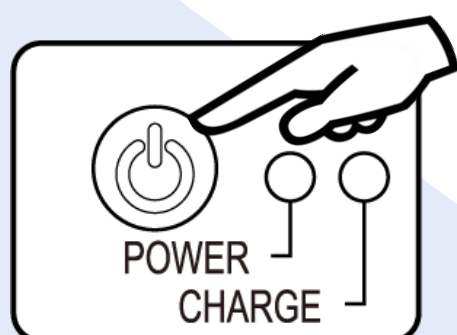


- 2 Connect the AC adapter to the splicer to charge the battery pack.



- 3 Press the POWER key.

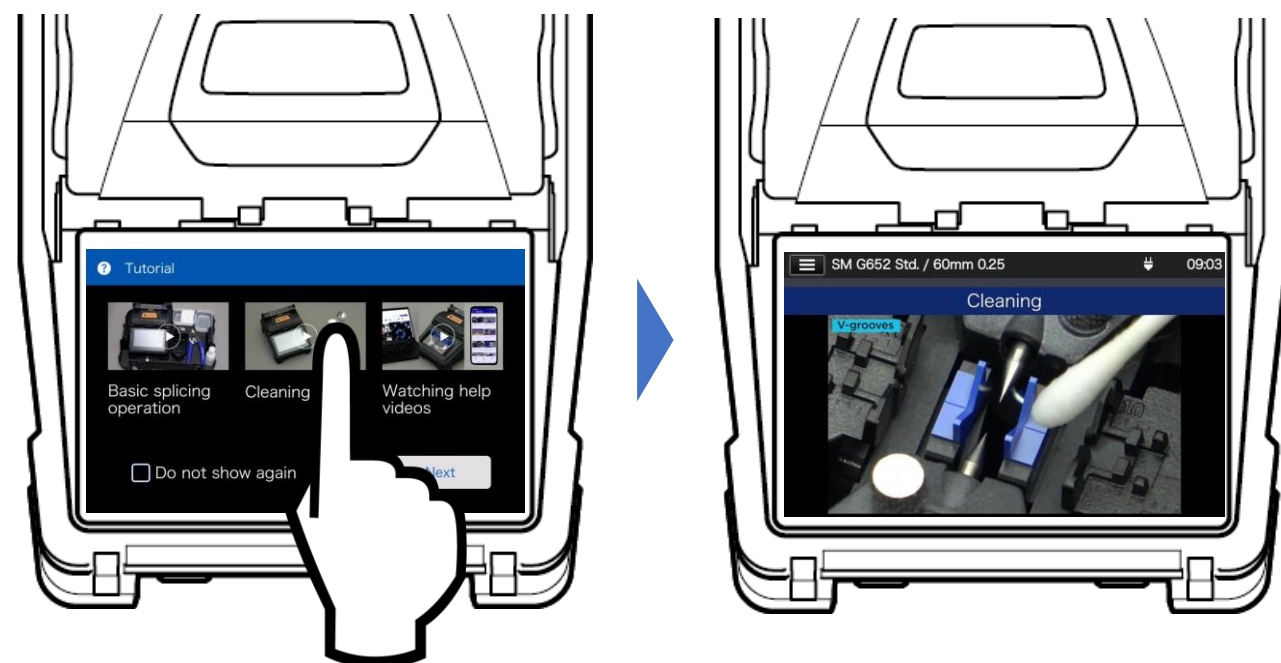
The splicer turns on.



4 The splicer shows thumbnails of tutorial videos.

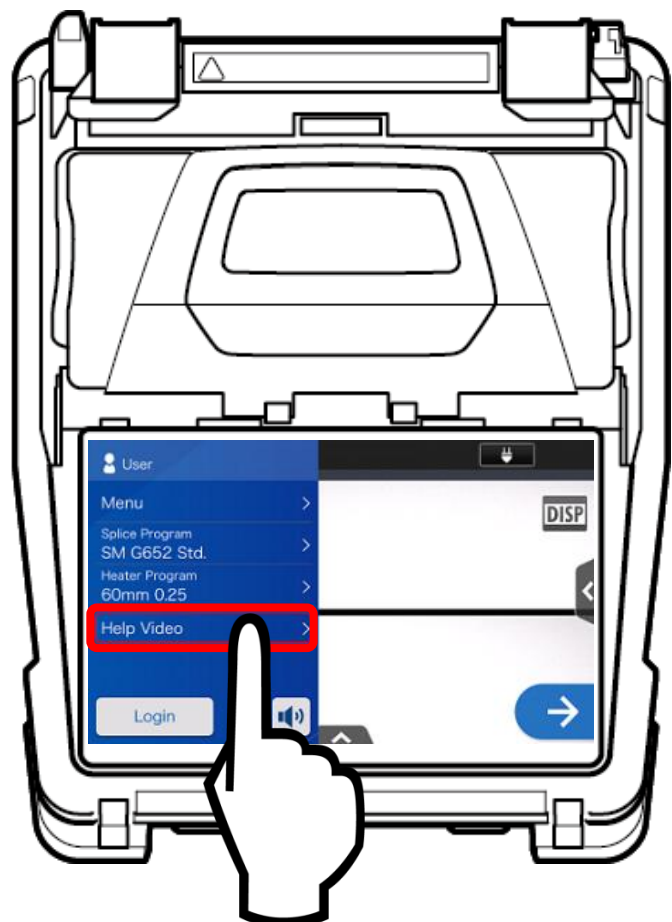


5 Tap the thumbnail to play the video.



Utilizing Help Videos

On the splicer



Also available online



Video contents

Basic operation



Splice protection

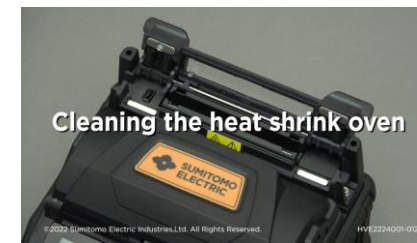


Inserting the fibers into the splicer

Cleaning

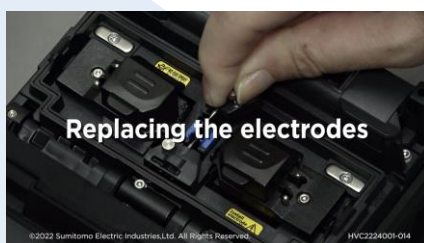


V-grooves



Heat shrink oven

Consumables



Replacing the electrodes

Software update



... and more in the list.

